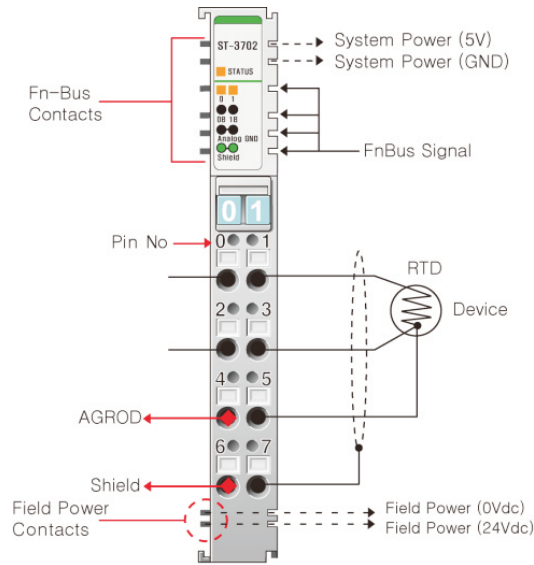


# ST-3702

## RTD, 2 Channels, Status



Item		ST-3702
<b>Input Specification</b>		
Number of Inputs	2 Channels Single Ended, Non-isolated Between Channels	
Indicators	2 Green/Red States, 1 Green/Red Fn-Bus State	
Sensor Types	PT50, PT100, PT200, PT500, PT1000, JPT100, JPT200, JPT500, JPT1000, NI100, NI200, NI500, NI1000, NI120, CU10, Resistance 100mΩ/Bit, Resistance 10mΩ/Bit, Resistance 20mΩ/Bit	
Conversion Time	200msec / All Channel	
Data Format	16bits Integer (2's compliment)	
Dissolution ability	0.1℃ / 10mΩ	
Module Error	± 0.1% Full Scale @25℃ ± 0.3% Full Scale @0℃, 60℃	
Calibration	Not Required	
Diagnostic	Channel Open (if it is not Connected, Data=0x8000)	
Common Type	2 Channels / 2COM (Single Common)	
<b>General Specification</b>		
Power Supply	From System Power DC/DC	
Power Dissipation	Max. 70mA@5.0Vdc	
Isolation	I/O to Logic : Photocoupler Isolation Field Power : Not Connected	
Wiring	I/O Cable Max. 2.0mm <sup>r</sup>	
Weight	70g	
Module Size	12mm x 99mm x 70mm	
Environment Condition	Refer to " Environment Specification"(page : 1-191)	
Pin No.	Description	
0	Input Channel 0-A	
1	Input Channel 1-A	
2	Input Channel 0-B	
3	Input channel 1-B	
4	Analog Ground	
5	Analog Ground	
6	Shield	
7	Shield	
-	-	
-	-	
-	-	
-	-	
-	-	
-	-	
-	-	
-	-	
-	-	
-	-	
-	-	
-	-	
-	-	
-	-	
-	-	
-	-	
-	-	